



NINGBO HENGDA DIE-CASTING LOCK FACTORY

Our factory specializes in producing all kinds of trailer locks, car locks, gun locks, password cabinet locks, electric cabinet door locks, bicycle locks, motorcycle locks, hinges, all kinds of padlocks, and all kinds of locks customized according to customer requirements.



宁波东钱湖旅游度假区恒达压铸锁厂
NINGBO HENGDA DIE-CASTING LOCK FACTORY

宁波晨铭金属有限公司
NINGBO CHENMING METAL CO., LTD

浙江省宁波市东钱湖舜河工业区康兴路52号
No.52 Kangxing Road ,Dahe Industrial Park,
Dongqian Lake Industrial District, Ningbo, Zhejiang,China.

E-mail: rose@hengda-cn.net Tel: +86 574 83010872
 rose@trailerlock.cn +86 574 88370176
 hengda@hengda-cn.net +86 574 88370678

Fax: +86 574 88371176 Mobile: +86 135 6635 0550

Web: www.trailerlockfactory.com
 https://hengda-cn.en.alibaba.com
 https://hengdalock.en.made-in-china.com
 https://nbcn.en.alibaba.com



(扫码进入在线画册)



企业简介

ABOUT US



友恒锁业

Ningbo Hengda Die-casting Lock Company was established in 1985. Covering an area of 12,000 square meters, which is a building area of 6,000 square meters. We are located in Yinzhou, Ningbo City, Zhejiang Province, neighboring to Ningbo Port. Our factory specializes in producing all kinds of trailer locks, car locks, gun locks, password cabinet locks, electric cabinet door locks, bicycle locks, motorcycle locks, hinges, all kinds of padlocks, and all kinds of locks customized according to customer requirements. We possess advanced machining sets and perfect moulds, thermoplastic injections, casting parts, pressing and hardware parts, electroplating and spray plastic process techniques. "YOUHENG" brand locks and hinges cover 3000 kinds, most of which are exported to Japan, the USA, Australia, Europe and Southeast Asia. We have established long-term cooperation relationship with more than 600 famous enterprises both domestic and abroad.

"Living by the Quality and Sincerity, Developing by the Innovation, Supporting by the Talent, Winning the Market by Perfect Service" is the principle we always adhere to. Our products have won a high reputation as the whole production process under rigorous control which makes "YOUHENG" as the market leader. Your visit and cooperation will be warmly welcomed!

宁波恒达压铸锁厂成立于1985年，占地12000平方米，建筑面积6000平方米，位于浙江省宁波市鄞州区，紧邻宁波港。本厂专业生产各类拖车锁、汽车锁、枪锁、密码柜锁、电柜门锁、自行车锁、摩托车锁、铰链、各类挂锁，以及各类根据客户要求定制的锁。产品种类多达3000多种，公司近年来不断引进国内外先进工艺与设备，提升产品质量，优化生产效率，同时公司不断加大新产品研发力度，不断推出适合市场、适合客户的全方位的高性价比产品。“友恒”品牌系列产品不仅在国内有完善的销售网络，而且大量出口欧美等世界各地，深受用户好评。

恒达人秉承“品质求生存，创新谋发展，人才作支撑，服务赢市场”的企业发展理念，以诚心、真心的服务理念，从核心开发、智能生产、全程监制、质量保证、专业售服的一条龙机制来服务广大客户，全力打造国际化知名品牌！

热诚欢迎中外人士光临指导。

01-07 TRAILER HITCH LOCK 23 MOTORCYCLE LOCK

07 CLUTCH LOCK 24-26 CAR DOOR LOCK

08-10 STEERING WHEEL LOCK 26-27 TOW HOOK

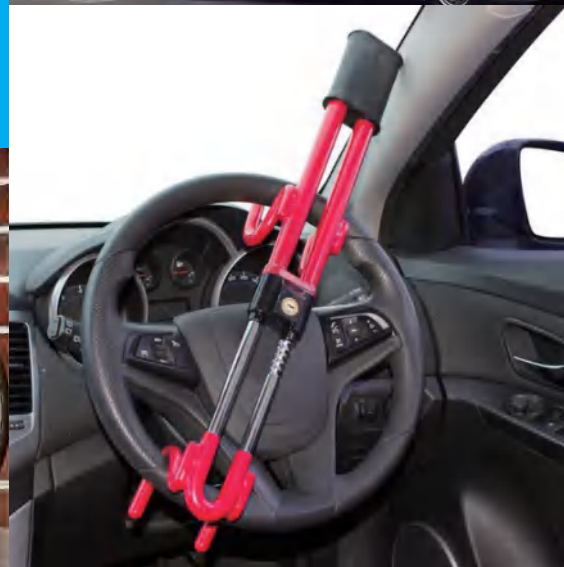
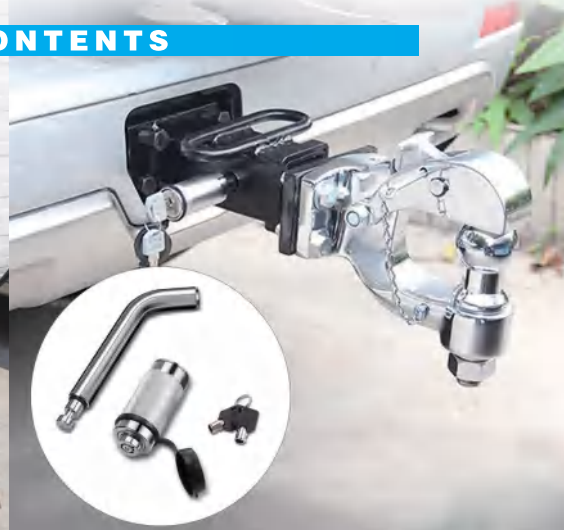
10-11 TIRE LOCK 27-30 TRAILER ACCESSORIES

12 TRIGGER GUN LOCK 30-31 BICYCLE LOCK

13-17 CABINET LOCK 31-33 COMBINATION PADLOCK

18-21 KEY LOCK BOX 33-35 OTHER LOCK

22-23 TOOLBOX LOCK 35 LAPTOP LOCK



Trailer Hitch Lock
拖车锁系列

YH1525



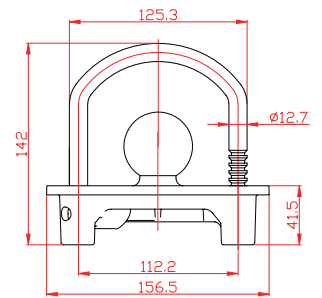
YH7289



YH9006

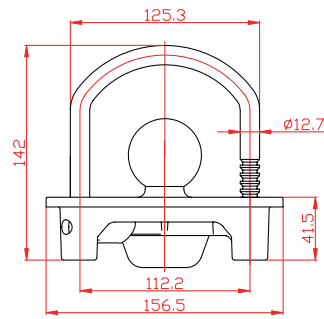


YH1926

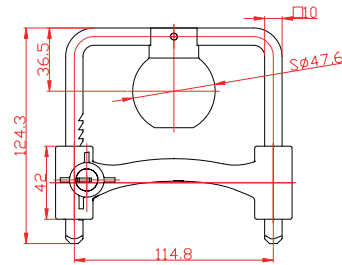


Model	Material	Surface Treatment	Weight	Carton Quantity	Carton Size
YH1525	Aluminum Alloy+Zinc Alloy+Iron	Chrome Plated+Spray	1.9KG	8SETS	34*31.5*19CM
YH7289	Aluminum Alloy+Zinc Alloy+Iron	Chrome Plated+Spray	1.9KG	8SETS	34*31.5*19CM
YH9006	Aluminum Alloy	Spray	805G	20PCS	34*31*42CM
YH1926	Aluminum Alloy	Spray	805G	20PCS	34*31*42CM

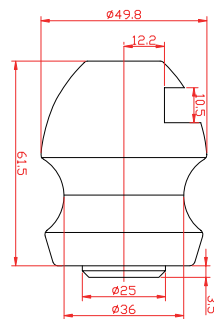
YH1916



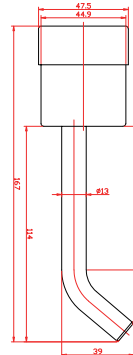
YH7277



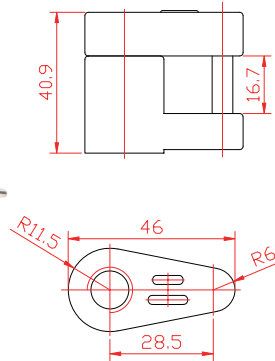
YH1917



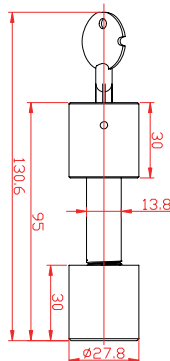
YH9220



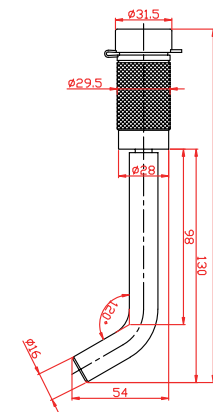
YH9008



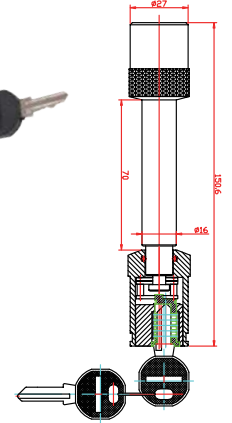
YH1929



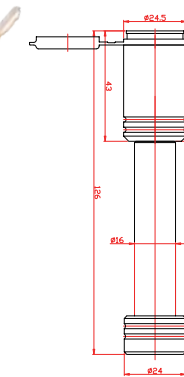
YH1911



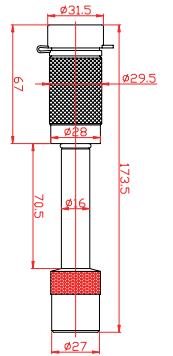
YH9005



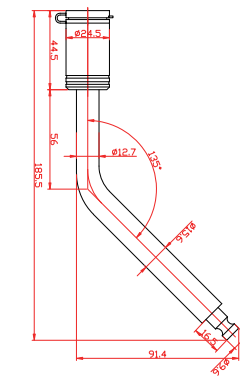
YH1930



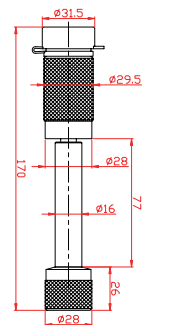
YH1913



YH1910



YH1912



Model	Material	Surface Treatment	Weight	Carton Quantity	Carton Size
YH1916	Iron	Spray	950G	20PCS	45*35*31CM
YH7277	Zinc Alloy+Iron	Chrome Plated+Spray	1.1KG	16PCS	34*31.5*18CM
YH1917	Zinc Alloy	/	393G	50PCS	32*30*18CM
YH9220	Zinc Alloy+Iron	Spray	430G	24PCS	34*21*18CM
YH9008	Zinc Alloy+Iron	Copper/Black Electrophoresis	158G	100PCS	23*20*20CM
YH1929	Stainless Steel 304	Polishing	309G	50PCS	32*14*16CM
YH1911	Zinc Alloy+Iron	Chrome Plated	460G	40PCS	26*18*22CM
YH9005	Zinc Alloy+Iron	Chrome Plated	431G	40PCS	39*19*17CM
YH1930	Zinc Alloy+Iron	Chrome Plated	272G	50PCS	29.5*20*19CM
YH1913	Zinc Alloy+Iron	Black Electrophoresis	497G	24PCS	34*21*18CM
YH1910	Zinc Alloy+Iron	Chrome Plated	296G	48PCS	26*18*22CM
YH1912	Zinc Alloy+Iron	Chrome Plated	479G	40PCS	39*19*17CM

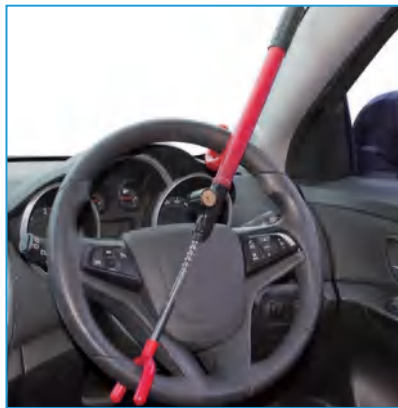
Steering Wheel Lock
方向盘锁系列



YH1956	
Weight	509G
Carton Quantity	12PCS
Carton Size	68*26*25CM
GW	7.5KG



YH1951	
Weight	821G
Carton Quantity	12PCS
Carton Size	56*39*27CM
GW	12.5KG



YH1955	
Weight	700G
Carton Quantity	24PCS
Carton Size	59*30*28CM
GW	20KG



YH1957	
Weight	2KG
Carton Quantity	8PCS
Carton Size	51*42.5*22.5 CM
GW	17KG



YH1486	
Weight	756G
Carton Quantity	20PCS
Carton Size	63*27*33CM
GW	22.5KG



YH1739	
Weight	875G
Carton Quantity	12PCS
Carton Size	68*30*28CM
GW	13KG



YH1949	
Weight	631G
Carton Quantity	12PCS
Carton Size	50*47*30CM
GW	11.2KG



YH1194	
Weight	1.1KG
Carton Quantity	12PCS
Carton Size	52*32*33CM
GW	16.3KG



YH1985	
Weight	1.5KG
Carton Quantity	12PCS
Carton Size	45*35.5*58.5CM
GW	14.8KG



YH2077	
Weight	2KG
Carton Quantity	8PCS
Carton Size	69*32*29CM
GW	17KG



YH1958	
Weight	8.2KG
Carton Quantity	12PCS
Carton Size	42*40*30CM
GW	16.3KG



YH1556	
Weight	1.5KG
Carton Quantity	12PCS
Carton Size	44*43.5*35CM
GW	21.3KG



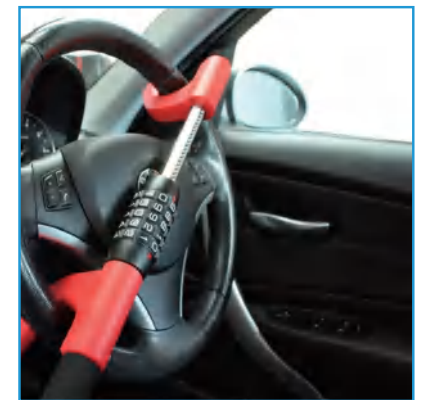
YH1953	
Weight	919G
Carton Quantity	12PCS
Carton Size	64*34*16CM
GW	15.7KG



YH1719	
Weight	1.5KG
Carton Quantity	12PCS
Carton Size	61*27*14CM
GW	18.3KG



YH9130	
Weight	1.9KG
Carton Quantity	12PCS
Carton Size	51*44*28CM
GW	26.5KG



STEERING WHEEL LOCK



YH1954	
Weight	684G
Carton Quantity	12PCS
Carton Size	61*27*14CM
GW	10.2KG



YH1952	
Weight	994G
Carton Quantity	12PCS
Carton Size	69*29*18CM
GW	14KG



YH1856	
Weight	1.8KG
Carton Quantity	12PCS
Carton Size	52*41*31CM
GW	24KG



YH1487	
Weight	1.1KG
Carton Quantity	12PCS
Carton Size	61*27*14CM
GW	13.8KG



YH2078	
Weight	1.7KG
Carton Quantity	8PCS
Carton Size	69*32*29CM
GW	16KG



YH9202	
Weight	1.8KG
Carton Quantity	12PCS
Carton Size	51*40*31CM
GW	20.5KG

Tire lock 轮胎锁系列

YH1579



YH1579	
Material	Iron
Surface Treatment	Spray
Weight	5.5KG
Carton Quantity	2PCS
Carton Size	63*31*21CM
GW	11.5KG

TIRE LOCK

YH1581



YH1581	
Material	Steel
Surface Treatment	Spray
Weight	4.4KG
Carton Quantity	4PCS
Carton Size	60*29*60CM
GW	20KG

YH1796



YH1796	
Material	Iron
Surface Treatment	Spray
Weight	24.5KG
Carton Quantity	1PCS
Carton Size	/
GW	/

YH9135



YH9135	
Material	Steel
Surface Treatment	Spray
Weight	2KG
Carton Quantity	6PCS
Carton Size	63*33*29CM
GW	12.7KG

YH1794



YH1794	
Material	Steel
Surface Treatment	Spray
Weight	3.5KG
Carton Quantity	3CS
Carton Size	63*31*21CM
GW	11KG

Trigger Gun lock
枪锁系列

YH1224



YH1901



YH1902



YH1906



YH10010



YH1804



YH1650



YH1900



YH1899



YH1904



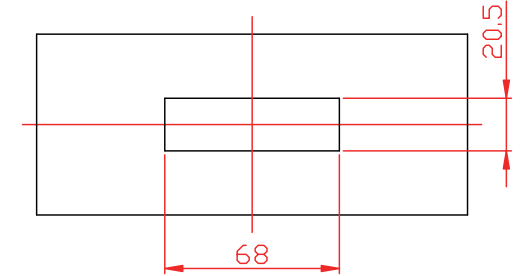
Model	Material	Surface Treatment	Weight	Carton Quantity	Carton Size
YH1224	Iron+Zinc Alloy	Powder Coating	187G	100PCS	36.5*35*18CM
YH1901	Iron+Zinc Alloy	Powder Coating	165G	100PCS	36.5*35*18CM
YH1902	Iron+Zinc Alloy	Powder Coating	181G	100PCS	36.5*35*18CM
YH1906	Iron+Zinc Alloy	Powder Coating	177G	100PCS	36.5*35*18CM
YH10010	Iron	Encapsulation	183G	50PCS	48.5*32*14.5CM
YH1804	Iron	Encapsulation	165G	100PCS	27*22*23CM
YH1650	Iron	Encapsulation	130G	100PCS	27*22*23CM
YH1900	ABS	/	30G	250PCS	44*35*22CM
YH1899	Zinc Alloy	Chrome Plated	84G	250PCS	34.5*33*11CM
YH1904	ABS	/	20G	500PCS	34.5*34*21CM

Cabinet lock
柜锁系列

YH1203



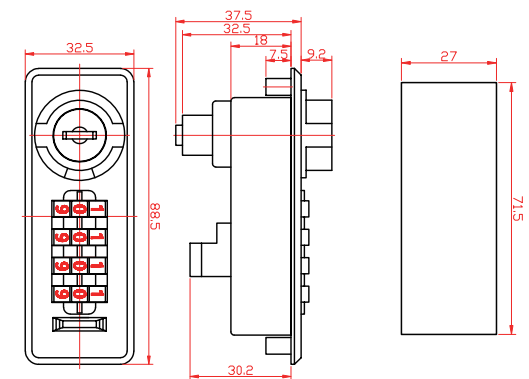
Mounting Holes



YH1204



YH1197

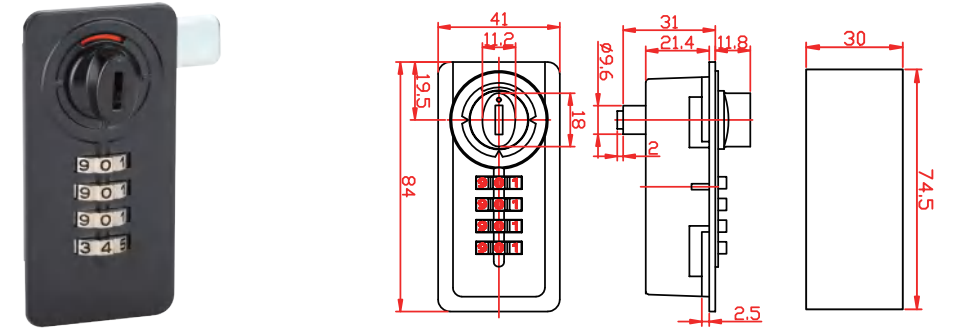


CABINET LOCK

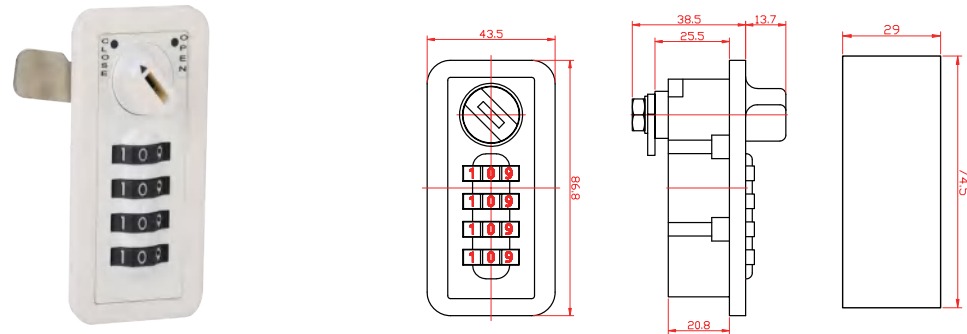
YH2867



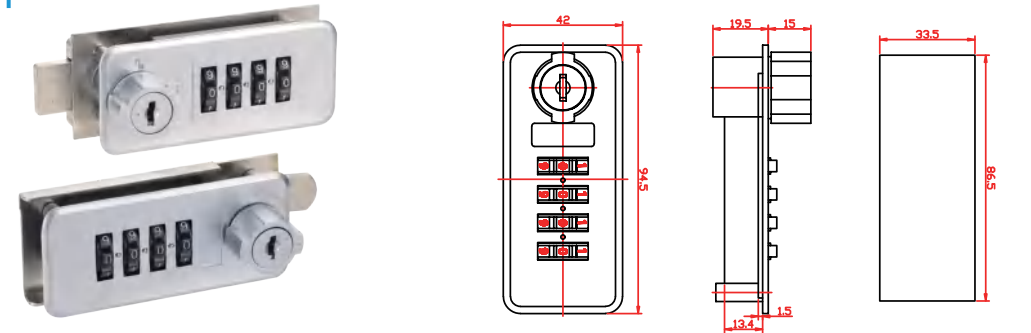
YH1196



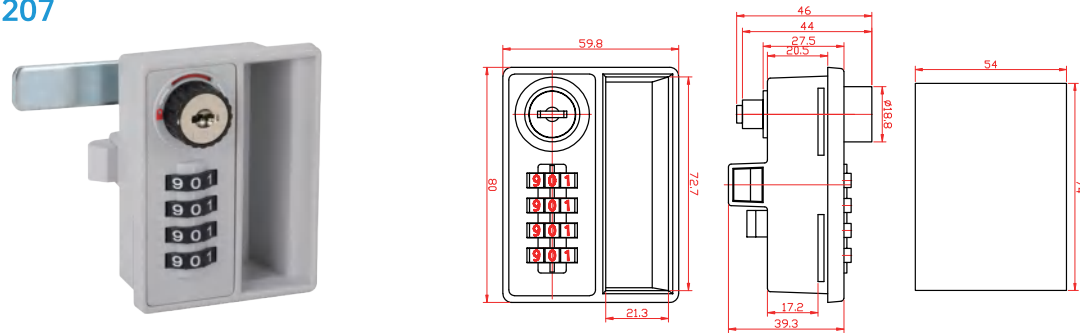
YH10001



YH3601



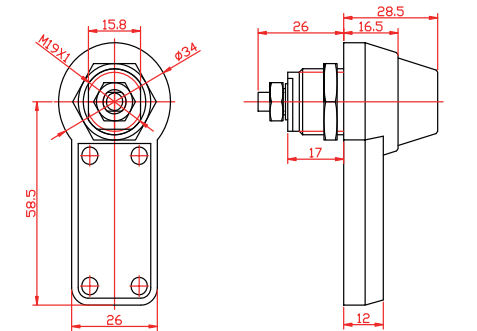
YH1207



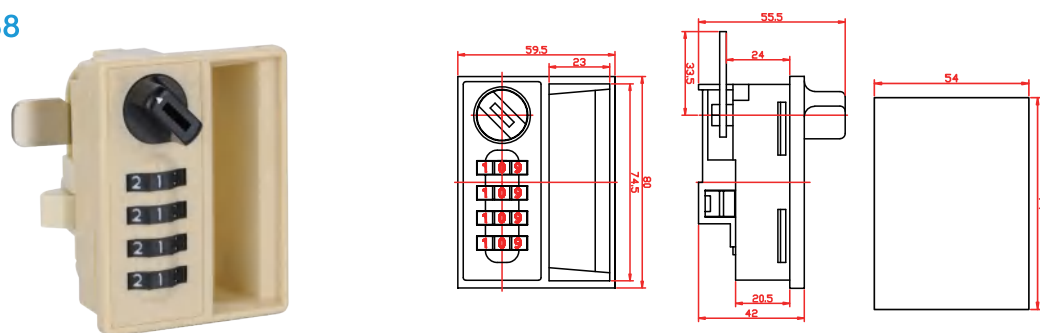
YH1198



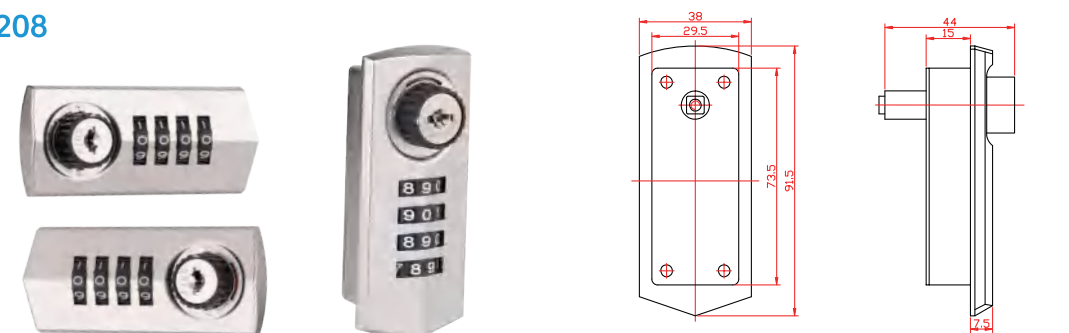
YH1199



YH1568

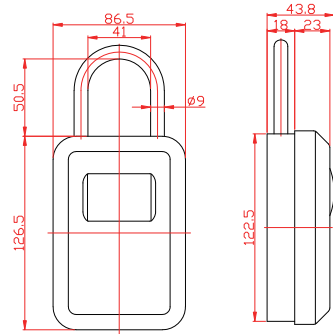


YH1208



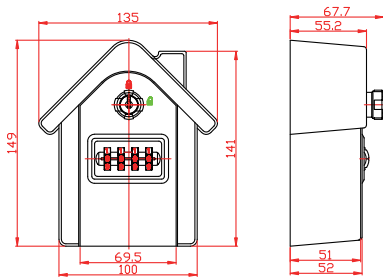
Key lock box
钥匙盒系列

YH1092 YH8901



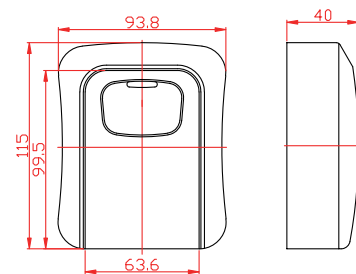
YH1092 / YH8901	
Material	Aluminum Alloy
Surface Treatment	Spray
Weight	474G / 575G
Carton Quantity	30PCS
Carton Size	31.5*28*29CM / 40.5*30*29CM

YH8902



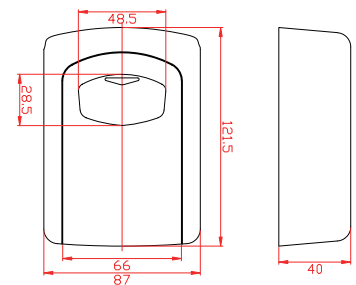
YH8902	
Material	Aluminum Alloy
Surface Treatment	Spray
Weight	829G
Carton Quantity	20PCS
Carton Size	71*33*16CM

YH2090



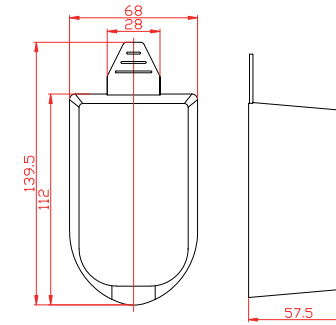
YH2090	
Material	Aluminum Alloy
Surface Treatment	Spray
Weight	373G
Carton Quantity	50PCS
Carton Size	51*27*28CM

YH9151



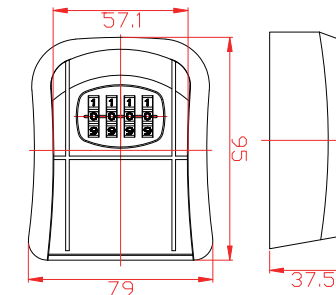
YH9151	
Material	Aluminum Alloy
Surface Treatment	Spray
Weight	507G
Carton Quantity	20PCS
Carton Size	30*28*22CM

YH9201



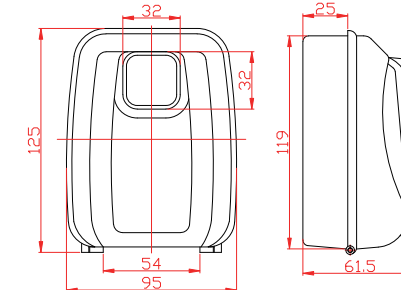
YH9201	
Material	Aluminum Alloy
Surface Treatment	Spray
Weight	438G
Carton Quantity	30PCS
Carton Size	34*22.5*25CM

YH2092



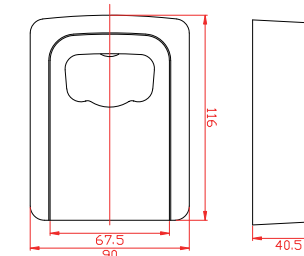
YH2092	
Material	Aluminum Alloy
Surface Treatment	Spray
Weight	220G
Carton Quantity	50PCS
Carton Size	46*22.5*28CM

YH1492



YH1492	
Material	Aluminum Alloy+ABS
Surface Treatment	Spray
Weight	643G
Carton Quantity	30PCS
Carton Size	51.5*28.5*24.5cm

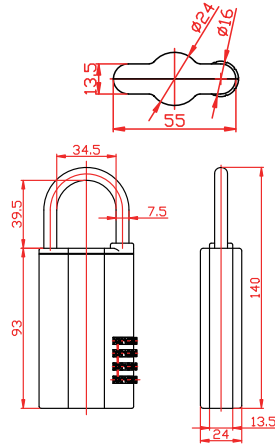
YH9216



YH9216	
Material	Iron+Aluminum Alloy
Surface Treatment	Spray
Weight	522G
Carton Quantity	40PCS
Carton Size	51*27*23CM

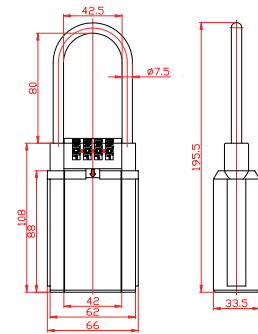
KEY LOCK BOX

YH9172



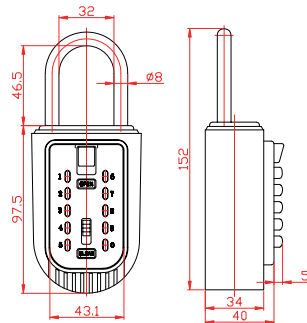
YH9172	
Material	Zinc alloy
Surface Treatment	Spray
Weight	265G
Carton Quantity	20PCS
Carton Size	29.5*18.5*19.5CM

YH9174



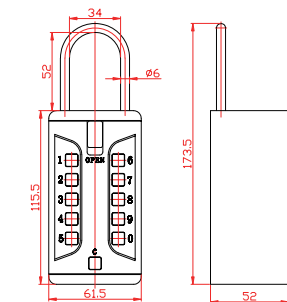
YH9174	
Material	Zinc alloy
Surface Treatment	Spray
Weight	890G
Carton Quantity	16PCS
Carton Size	32.5*30*35.5CM

YH9175



YH9175	
Material	Aluminum Alloy+Iron
Surface Treatment	Spray
Weight	551G
Carton Quantity	30PCS
Carton Size	32.5*28*23CM

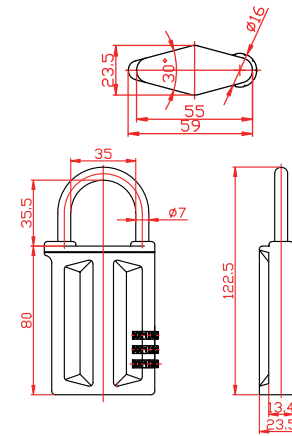
YH9176



YH9176	
Material	Zinc alloy
Surface Treatment	Black Electrophoresis
Weight	1093G
Carton Quantity	10PCS
Carton Size	32.5*30*35.5CM

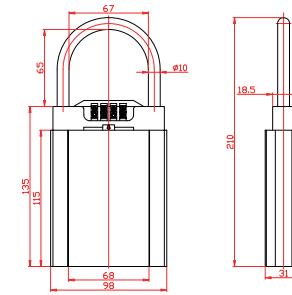
KEY LOCK BOX

YH9169



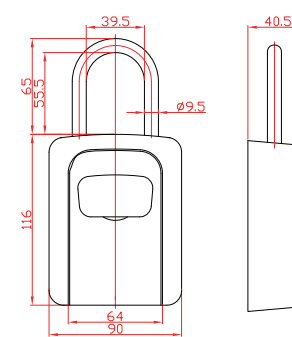
YH9169	
Material	Zinc alloy
Surface Treatment	Spray
Weight	213G
Carton Quantity	24PCS
Carton Size	39.5*25.5*21.5CM

YH9171



YH9171	
Material	Zinc alloy
Surface Treatment	Spray
Weight	470G
Carton Quantity	16PCS
Carton Size	34*33*26CM

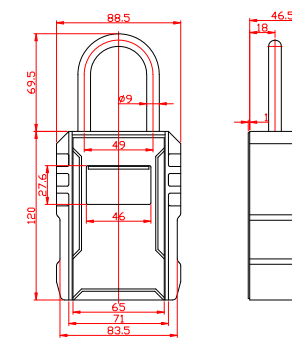
YH9217



YH9217	
Material	Aluminum Alloy+Iron
Surface Treatment	Spray
Weight	568G
Carton Quantity	30PCS
Carton Size	40*31*28CM

YH2119

YH9224



YH2119 / YH9224	
Material	Aluminum Alloy+Iron
Surface Treatment	Spray
Weight	445G / 565G
Carton Quantity	40PCS
Carton Size	40*28*29CM

Toolbox lock
工具箱锁系列



Motorcycle lock
摩托车锁



Model	Material	Surface Treatment	Weight	Carton Quantity	Carton Size
YH1474	Zinc Alloy + Iron	Spray	135G	100PCS	35.5*22*29CM
YH9920	Aluminum Alloy	Oxidation	311G	60PCS	37*45*23CM
YH1693	Aluminium Alloy	Oxidation	400G	50PCS	36*28*28CM
YH1243	Aluminium Alloy	spray	335G	60PCS	43*24*41CM
YH1765	ABS	Spray	253G	50PCS	37*30*30CM
YH9126	ABS	/	76G	40PCS	27*27*21.5CM
YH9933	ABS	/	79G	240PCS	54*31*53CM
YH9909	ABS	/	69G	240PCS	54*31*53CM

Car Door Lock
房车门锁系列



YH1475	
Material	Zinc Alloy/PC
Hole size	18mm
Carton Quantity	30
Door thickness	15-18mm



YH1526	
Material	Zinc Alloy
Hole size	wide 68-70mm Width 91-93mm
Carton Quantity	12
Door thickness	32-38mm



YH1797	
Material	Zinc Alloy Aluminium alloy
Hole size	70*90mm
Carton Quantity	16
Door thickness	36-40mm



YH1770	
Material	Zinc Alloy/ABS
Hole size	43mm
Carton Quantity	200
Door thickness	15-18mm



YH1984	
Material	Zinc Alloy/ABS
Hole size	20mm
Carton Quantity	200
Door thickness	12-18mm



YH2073	
Material	Zinc Alloy/nylon
Hole size	12-18mm
Carton Quantity	100
Door thickness	15-18mm



YH2074	
Material	Zinc Alloy/nylon
Hole size	12-18mm
Carton Quantity	100
Door thickness	15-27mm



YH1577	
Material	Zinc Alloy
Hole size	26mm
Carton Quantity	250
Door thickness	12-18mm



YH2075	
Material	Zinc Alloy
Hole size	26mm
Carton Quantity	100
Door thickness	12-18mm



YH1798	
Material	Zinc Alloy
Hole size	26mm
Carton Quantity	100
Door thickness	12-18mm



YH2071	
Material	Zinc Alloy
Hole size	26mm
Carton Quantity	100
Door thickness	12-18mm



YH2072	
Material	Zinc Alloy
Hole size	20mm
Carton Quantity	200
Door thickness	12-18mm



YH1799	
Material	Zinc Alloy
Hole size	20mm
Carton Quantity	100
Door thickness	12-18mm



YH2070	
Material	Zinc Alloy
Hole size	20mm
Carton Quantity	200
Door thickness	12-18mm



YH1826	
Material	Zinc Alloy
Hole size	20mm
Carton Quantity	200
Door thickness	12-18mm



YH3004	
Material	Zinc Alloy
Hole size	26mm
Carton Quantity	100
Door thickness	12-18mm

YH2952



YH2954



YH2955



YH2956



YH2957



YH2959



YH2960



Tow hook
拖车钩系列



YH1591



YH1859



YH1862



YH1863



YH1864



YH1890



YH1714



YH1995



YH1829



YH1872



YH1545



Trailer accessories
拖车配件

YH1174



YH1747



YH1832



YH1848



YH1927



Model	Material	Surface Treatment	Weight
YH1174	ABS	/	52/24/24g
YH1747	Iron+Aluminium Alloy	Spray	3.3kg
YH1832	Zinc Alloy	Spray	1kg
YH1848	ABS	/	180g
YH1927	Stainless Steel+Iron	Polishing+Spray	630g
YH1877	Steel	Spray	1.4kg

YH1695



Material	Surface Treatment	Description	QTY	Package Size(CM)	G.W(kgs)
Iron	Spray	4" Hitch Pin	36	21*16*28	11.5
		6-1/2" Hitch Pin	36	46*25*20	24.5
		7-1/2" Hitch Pin	30	36*34.5*31	28

YH1946



Ball size	Channel	Capacity	Finish	Material	Thickness	Weight	Carton Quantity	G.W(kgs)
1-7/8"	2"	2000lbs	Black,Oil,Zinc	SPHC	2.5mm	1.19kg	10	13.9
1-7/8"	2-1/2"	2000lbs	Black,Oil,Zinc	SPHC	2.5mm	1.21kg	10	14.1
1-7/8"	3"	2000lbs	Black,Oil,Zinc	SPHC	2.5mm	1.26kg	10	14.6
2"	2"	3500lbs	Black,Oil,Zinc	SPHC	4mm	2.00kg	10	22
2"	2-1/2"	3500lbs	Black,Oil,Zinc	SPHC	4mm	2.10kg	10	23
2"	3"	3500lbs	Black,Oil,Zinc	SPHC	4mm	2.10kg	10	23
2"	3"	5000lbs	Black,Oil,Zinc	SPHC	4mm	2.34kg	10	25.4

Material	Surface Treatment	ball dia	shank dia	shank length	M.G.T.W	QTY	Package Size(CM)	G.W(kgs)
Iron	Chrome Plated	1-7/8"	3/4"	2"	2000lbs	24	45*38*18	19.5
		1-7/8"	3/4"	2-1/2"	2000lbs	24	45*38*18	20
		1-7/8"	3/4"	3"	2000lbs	24	45*38*20	21
		1-7/8"	1"	2"	3500lbs	24	45*38*18	23
		1-7/8"	1"	2-1/2"	3500lbs	24	45*38*18	24.5
		1-7/8"	1"	3"	3500lbs	24	45*38*20	26
		2"	3/4"	2"	3500lbs	24	45*38*18	21.5
		2"	3/4"	2-1/2"	3500lbs	24	45*38*18	22
		2"	3/4"	3"	3500lbs	24	45*38*20	23
		2"	1"	2"	5000lbs	24	45*38*18	26
		2"	1"	2-1/2"	5000lbs	24	45*38*18	27
		2"	1"	3"	5000lbs	24	45*38*20	28
		2-5/16"	1"	2"	5000lbs	12	42*24*21	17.5
		2-5/16"	1"	2-1/2"	5000lbs	12	42*24*21	18.5
		2-5/16"	1"	3"	5000lbs	12	42*24*23	19
		2-5/16"	1-1/4"	3"	7500lbs	12	42*24*23	21
		50mm	7/8"	2-1/8"	3500lbs	24	45*38*18	24
		50mm	7/8"	60mm	3500lbs	24	45*38*18	25

YH1871



YH1874



Model	Capacity	Shank Length	Receiver Tube	Ball Size	Hitch Pin Hole
YH1871	3500lbs/5000lbs/10000lbs	12"	2"*2"	1-7/8",2",2-5/16"	4mm
YH1874	3500lbs/6000lbs/10000lbs	14"	2"*2"	1-7/8",2",2-5/18"	4mm

YH1940



YH1866



YH1870



YH1972



YH1939



YH1942

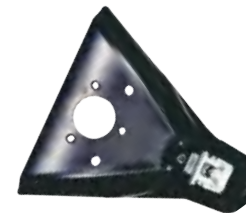


YH1941



Model	Description	QTY	Package Size(CM)	G.W(kgs)
YH1940	Adjustable Tri-Ball Mount,1-7/8".2",2-5/16" Chrome Balls	1	33*26*21	19.5
YH1866	Tri-Ball Mount With U,1-7/8".2",2-5/16"soild Shank	2	44*39.5*22.5	20.5
YH1870	2" Ball Mount With Ball	3	39*24*25	15
YH1972	Adjustable Ball Mount ,3-Postion	3	33*26*24	19
YH1939	Dual Hitch Extension	3	46*26*25	24
YH1942	Receiver Extensions 7"	6	31.5*19*27	19
	Receiver Extensions 12"	4	46*19*19	20
	Receiver Extensions 18"	4	60*19*19	25
YH1941	Step Bumper Receiver	2	38*19*19	15

YH1947



YH1963



YH1768



YH1965



Model	Capacity	Description	Finish	Material	Thickness	Weight
YH1947	5000lbs	2"A-frame SAE Class III	Black,Oil,Zinc	Q235	4mm	2.34KG
YH1693	5000lbs	2"A-frame SAE Class III	Black,Oil,Zinc	Q235	4mm	2.98KG
YH1768	7000lbs	2" forged A-frame coupler	Black,Oil,Zinc	Q235	4mm	6.36KG
	12500lbs	2-5/16" forged A-frame coupler	Black,Oil,Zinc	Q235	6mm	7.6KG
YH1965	10000lbs	2-5/16" A-frame SAE Class III	Black,Oil,Zinc	Q235	5mm	3.98KG
	14000lbs	2-5/16" A-frame SAE Class III	Black,Oil,Zinc	Q235	5mm	3.98KG

YH1767



YH5106



Model	Description	M.G.T.W	QTY	Package Size(CM)	G.W(kgs)	
YH1769	50mm Ball	3500kgs	6	30*20*20	16	
Model	Description	Max.Drop	Capacity	QTY	Package Size(CM)	G.W(kgs)
YH5106	Straight Ball Mount	2"	5000lbs	6	34*22*23.5	17
	Straight Ball Mount,Chrome Plated	2"	5000lbs	6	34*22*23.5	17
	Straight Ball Mount,Zinc Plated	2"	5000lbs	6	34*22*23.5	17
	Straight Ball Mount	4"	5000lbs	4	39*25*16	14
	Straight Ball Mount,Chrome Plated	4"	5000lbs	4	39*25*16	14
	Straight Ball Mount,Zinc Plated	4"	5000lbs	4	39*25*16	14
	Deep Drop Ball Mount	6"	5000lbs	4	45*30*15	18
	Deep Drop Ball Mount	8"	5000lbs	4	49*32*15	20.5

Bicycle Lock
自行车锁

YH1824



YH9138



YH1098



YH1221



YH1408



YH1446



YH1459



YH1462



YH9152



YH1924



YH1925



YH9223



YH9226



YH1738



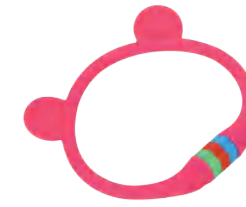
YH1376



YH1886



YH1885



YH2137



Combination Padlock
密码锁

YH1238-A



YH1238-B



YH1267



YH1262/YH1266



YH1226/1227



YH8436



YH1228



YH1232



YH1236



YH1233



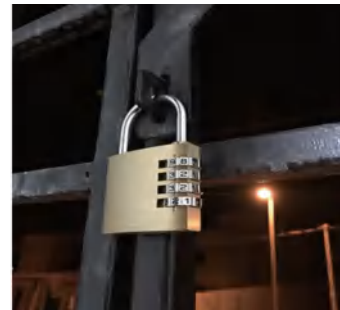
YH1234



YH8437



YH8444



YH1237-1/YH1237-2



YH1241



YH8442-1/YH8442-2



YH9034



YH1260



YH9052



YH9989



YH9967



YH1049



YH9188



YH8435



YH8431



YH8439



YH8451



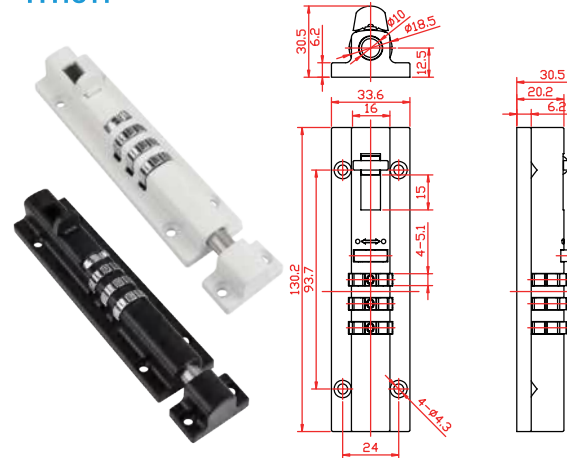
YH9111



OTHER LOCK

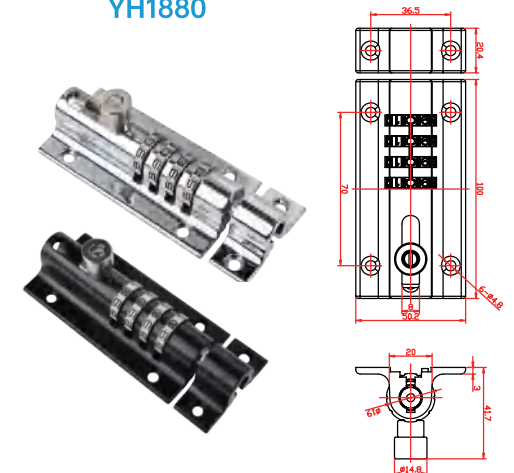
其它锁

YH1811



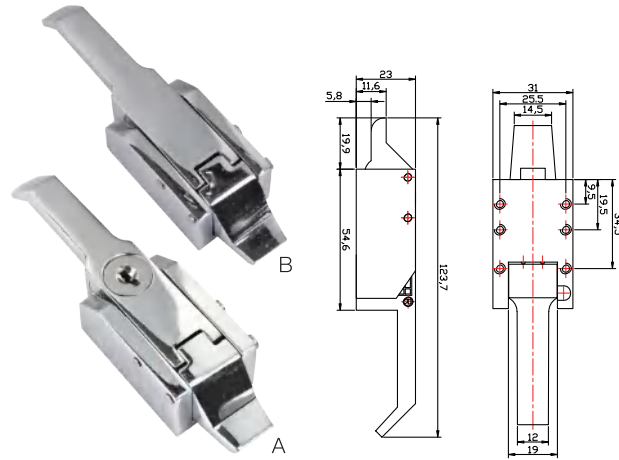
Combination BoltLock:YH1811	
Material	Steel +Zinc Alloy
Surface Treatment	Electrophoresis Black or Chrome Plated
Weight	260G
Carton Quantity	64PCS
Carton Size	38.5*34*22.5CM

YH1880



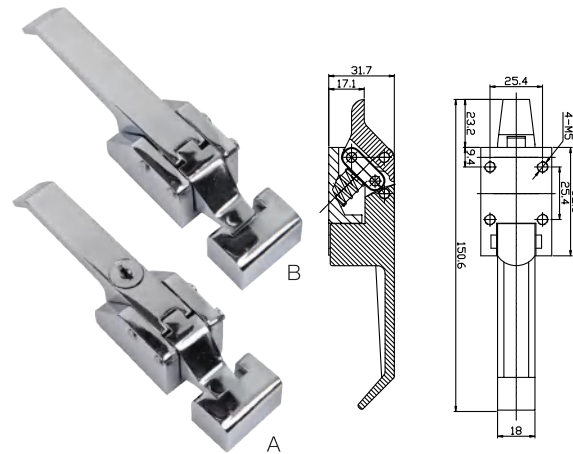
Combination BoltLock:YH1880	
Material	Steel +Zinc Alloy
Surface Treatment	Electrophoresis Black or Chrome Plated
Weight	360G
Carton Quantity	50PCS
Carton Size	31*31*24.5CM

YH1076-1-A/B



Refriger Door Lock:YH1076-1-A/B	
Material	Stainless Steel Or Zinc Alloy
Surface Treatment	Chrome Plated
Weight	A298G B350G
Carton Quantity	50PCS
Carton Size	27*22*23CM

YH1076-2-A/B



Refriger Door Lock:YH1076-2-A/B	
Material	Stainless Steel Or Zinc Alloy
Surface Treatment	Chrome Plated
Weight	A298G B350G
Carton Quantity	36PCS
Carton Size	27*22*23CM

YH2102



YH1250



YH3535



YH1264



YH9075



YH1123



YH1113



YH1675



YH9110



YH1652



YH9108



YH1268



YH1684



LAPTOP LOCK

笔记本电脑锁

YH10018



YH1540



YH1561

